

PRINOTH LLC Eastern US

2 Whitney Rd, Unit 1
Concord NH, USA 03301
Tel. 603.267.7840
prinoth.us@prinoth.com

PRINOTH LLC Far West US

2620 East 5th Street
Reno NV, USA 89512
Tel. 775.359.7517
prinoth.us@prinoth.com

PRINOTH LLC Rocky Mountains

2746 Seeber Drive Bldg B
Grand Junction CO, USA 81506
Tel. 970.242.7150
prinoth.us@prinoth.com

PRINOTH LLC Intermountain

2566 South Decker Lake Lane #3
West Valley UT, USA 84120
Tel. 801.364.8266
prinoth.us@prinoth.com

PRINOTH LTD Western Canada

285071 Frontier Road
Rockyview, AB, CANADA T1X 0R4
Tel. 403.279.7271
prinoth.canada@prinoth.com

PRINOTH LTD Eastern Canada

1001, J.-A. Bombardier Street
Granby, QC, CANADA J2J 1E9
Tel. 450.776.3600
prinoth.canada@prinoth.com

LEITWOLF
MASTER OF
SLOPES



Pinotti

UNSURPASSED AREA PERFORMANCE



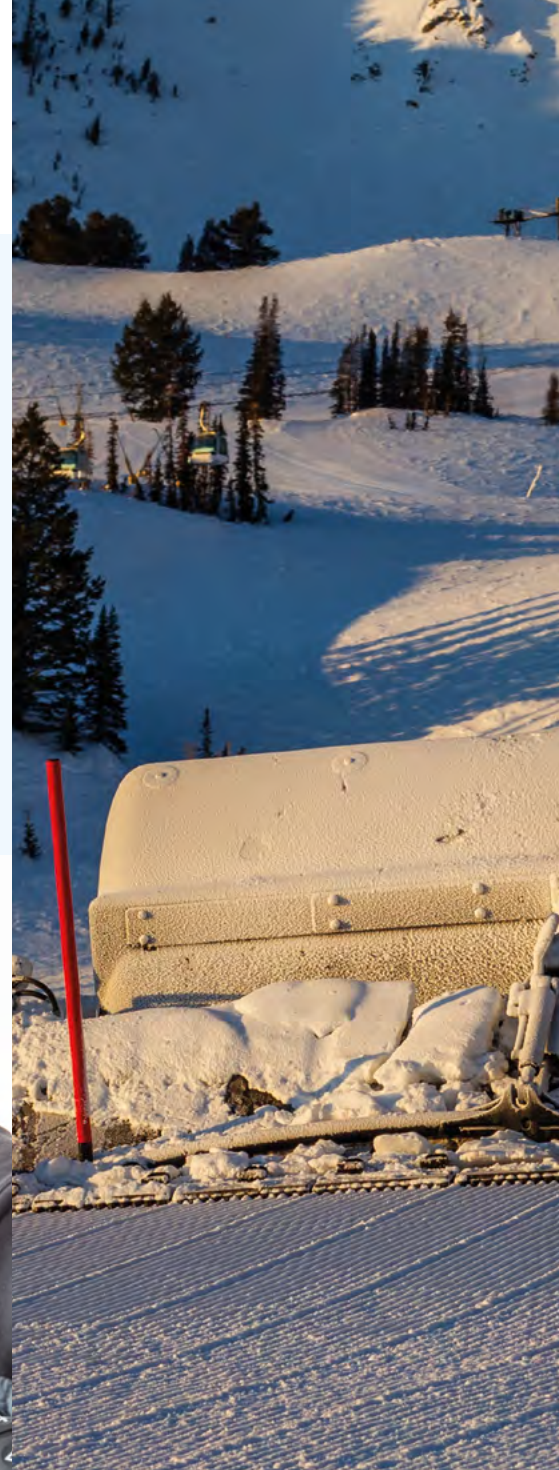


BEST IN CLASS POWER





PATENTED PARALLEL





OFFSET TILLER



ADJUSTABLE
SUSPENSION





PRINOTH CONTROL UNIT

CUSTOMIZED INTERFACE A WITH A SINGLE TOUCH

The customizable PRINOTH CONTROL UNIT is convenient and practical. Operators can tailor the user interface with their preferred shortcuts and vehicle settings. This means that each time they're in the driver's seat, the relevant settings are saved - making the start-up process faster so operators can hit the slopes sooner.

- The 12-inch tilting touchscreen makes everything easy to see at night or during the day.
- The display of the rearview camera can be changed to large or small on the screen.
- Vital details about the machine such as engine, tiller, winch and quick access pages are always visible.

PRECISE CONTROL & COMFORTABLE OPERATION

The improved "joystick-in-joystick" design provides precise blade and tiller control and allows simultaneous blade movement. The ergonomic joystick hand rest enables hours of smooth, comfortable operation. The reaction time has been reduced making it easier for operators to feel the blade in action which increases accuracy and operator comfort.

CONSISTENCY IS CRUCIAL

All Stage V vehicles contain the same operating system, which makes going between models effortless and boosts operator confidence.



CUSTOMIZABLE TILES FOR PERSONAL PREFERENCES

QUICK ACCESS PAGES:
RUNNING GEAR, ENGINE, VEHICLE SETTINGS, CABIN,
FRONT TOOLS, REAR TOOLS, PARK FUNCTIONS

FLEXIBLE CAMERA DISPLAY SETTING: SMALL OR LARGE

PERSONALIZED USER PROFILE

FULL MENU,
VIRTUAL BUTTONS FOR MIRRORS,
LIGHTS AND BELT TENSIONERS

KEYPAD:
FOCUS ON DIRECT
ACCESS TO FUNCTIONS,
CLEAR COCKPIT DESIGN

JOYSTICK IN JOYSTICK

ADJUSTABLE
JOYSTICK
ORIENTATION

COLOR CODING
MAKES IT EASY
TO LEARN FUNCTIONS

WINCH TENSION CONTROL:
AUTO / ECO / MANUAL

SOLO VEHICLE:
ONE MOVEMENT FROM CONTACT PRESSURE
TO FLOAT POSITION TO TILLER COUNTERPRESSURE



CABIN COMFORT FOR HIGH STANDARDS

QUIET, SLEEK, SPACIOUS

The LEITWOLF cabin has been updated to be larger and quieter. A generous footwell provides plenty of legroom. The standard center operator's seat and tilting touch display provide an excellent all-around view and allow the operator enter or exit the machine on either side. Additional full-size tailored Recaro seats for passengers makes the redesigned cockpit the most comfortable home base yet.

THE PERFECT TEMPERATURE

Windscreen, side window and footwell heating are standard, and an integrated sunroof allows for full temperature control. Fully automatic air conditioning is also available as an option.

BLADES

MAXIMUM PUSHING POWER GUARANTEED

The widest blades on the market offer unbeatable pushing performance. The joystick-in-joystick design allows for simultaneous blade movement and precise control. PRINOTH's innovative approach relies on a particular blade radius that encourages the snow to keep rolling inside the blade, reducing the amount of force required while increasing the amount of snow being pushed.

MASTER BLADE

This best-in-class and widest blade can push enormous amounts of snow while producing precise slope edges, allowing for fewer passes. It extends beyond the tracks, making it easy to work close to obstacles. The precise angle of the blade teeth make breaking up ice and snow a breeze.

PARK BLADE

The PARK blade contains specially designed teeth that facilitate maximum pushing force and precision. It is ideal for getting close to structures and boundaries. The PARK blade also contains side wings and a vertically adjustable back-blading cutter at the rear for cutting jumps and landings more evenly and effectively, which results in less hand-work needed to finalize features.



AUTOMATIC WINCH

CONTROL AND STABILITY

Extreme slopes are no problem for PRINOTH's AUTOMATIC winch, which is reliable in all conditions and throughout varied terrain. This allows the operator to focus more on the blade and tiller. The winch pivot is located at the center of the groomer, ensuring neutral handling regardless of the pulling direction. The low center of gravity guarantees stability going uphill and downhill.

The winch can be operated in three modes (AUTO/ECO/MANUAL) with a maximum pulling force of up to 5TN (4.5 metric tons). Each operator can prioritize pulling force or working speed, making winch operation easy and intuitive for seasoned winch operators and helps newer winch operators learn the skills more quickly.

RELIABLE AND USER FRIENDLY

Less strain is put on the cable due to the large radius of the drum and pulleys, increasing the lifespan. The control unit displays the winch status, pulling force, and recommended turning direction. This information, along with the hydraulic winding system, enables smooth operation and reduced wear. The included Roll-Out System enables the operator to pull out the winch cable without as much physical exertion.



• CENTRAL PIVOT POINT FOR NEUTRAL HANDLING

• 4.5 t / 5 TN PULLING FORCE

• WINCONTROL AUTO / ECO / MANUAL MODE

• ECO MODE WITH REDUCED PULLING FORCE OF UP TO 3.5 t / 3.9 TN

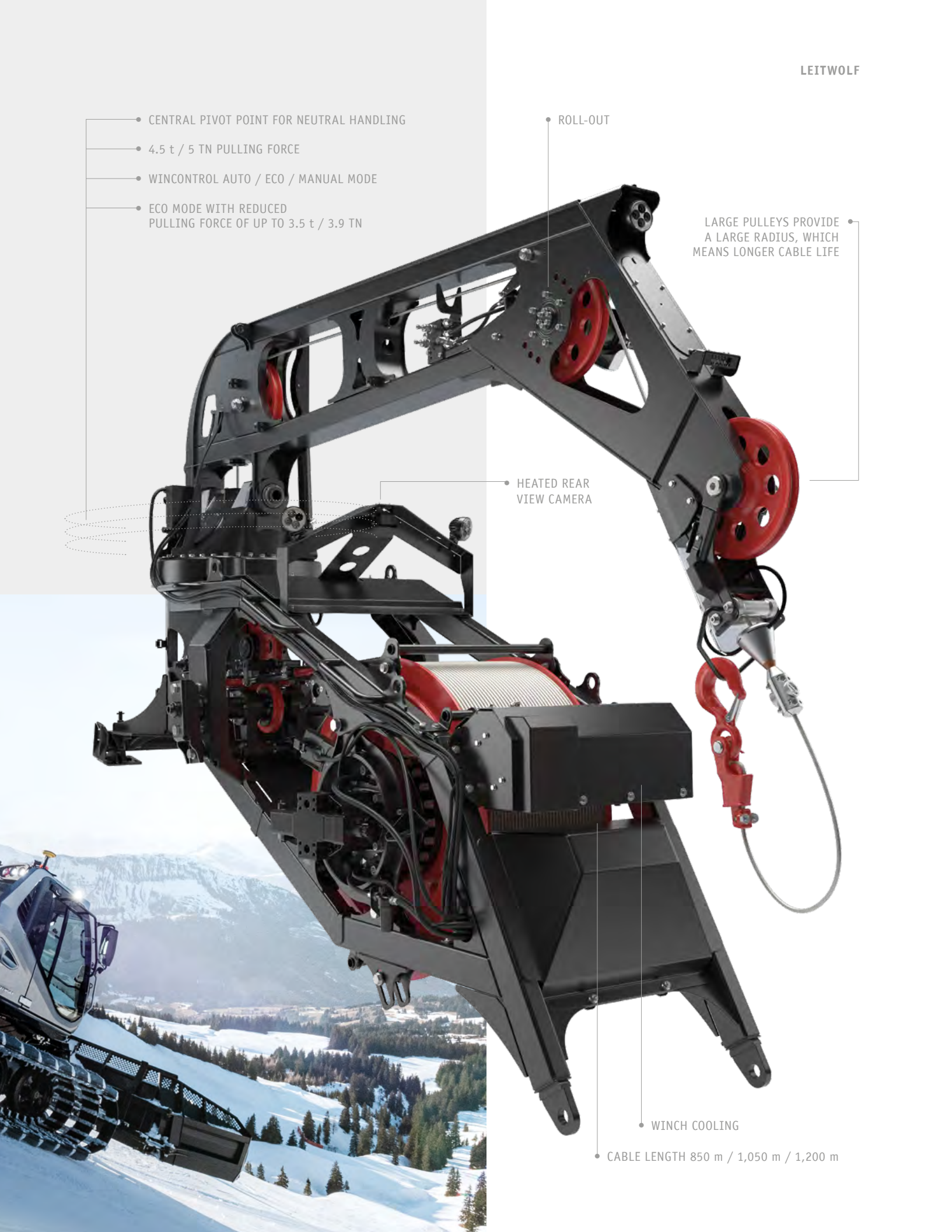
• ROLL-OUT

• LARGE PULLEYS PROVIDE A LARGE RADIUS, WHICH MEANS LONGER CABLE LIFE

• HEATED REAR VIEW CAMERA

• WINCH COOLING

• CABLE LENGTH 850 m / 1,050 m / 1,200 m





REDUCED EMISSIONS AND INCREASED FUEL EFFICIENCY

POWERFUL, SUSTAINABLE PERFORMANCE

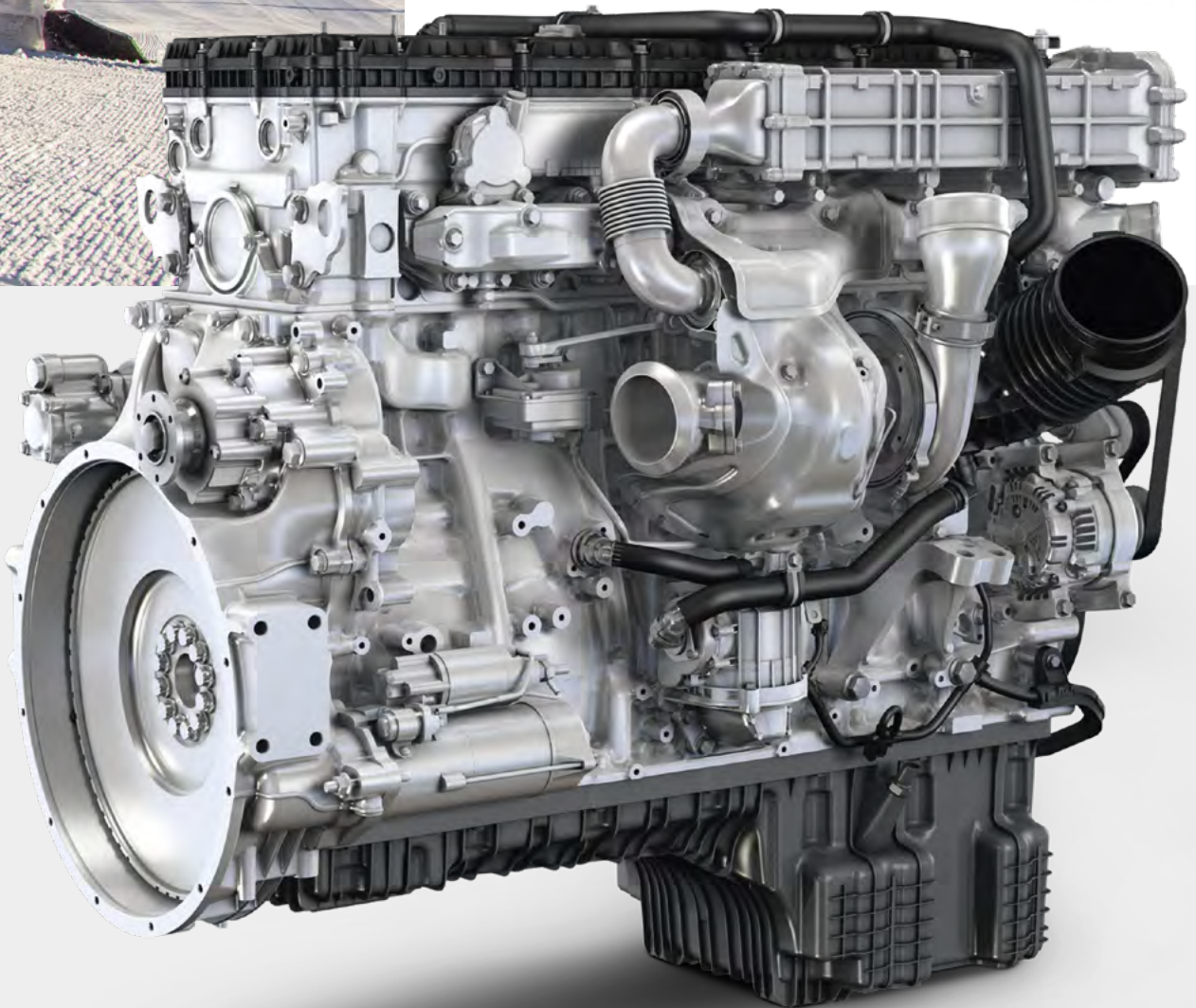
Clean and powerful – the engines in PRINOTH snow groomers offer low fuel consumption, low emissions and unrivaled performance.

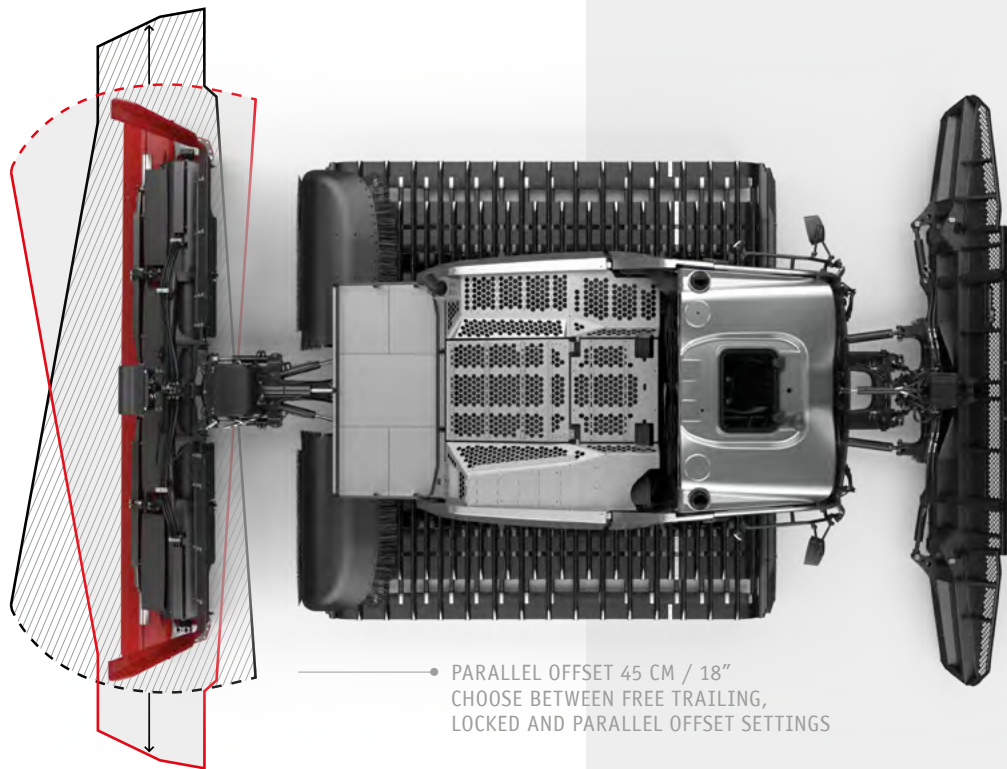
The MTU straight-six engine produces 530HP (390 kW) and an impressive torque of 1,920 ft-lb (2,600 Nm), making the LEITWOLF the world's most powerful groomer. A real-life consumption of 4% AdBlue in proportion to diesel helps keep operating costs low.

An exhaust treatment system with SCR catalytic converter and diesel particulate filter significantly reduces emissions. The engine is approved to be used with synthetic fuels such as HVO and GTL, which further reduces CO₂ emissions.



- ENGINE: MTU 6R 1300
- OUTPUT: 390 kW / 530 hp @ 1,600 rpm
- TORQUE: 2,600 Nm / 1,920 ft-lb @ 1,300 rpm







PATENTED PARALLEL OFFSET TILLER

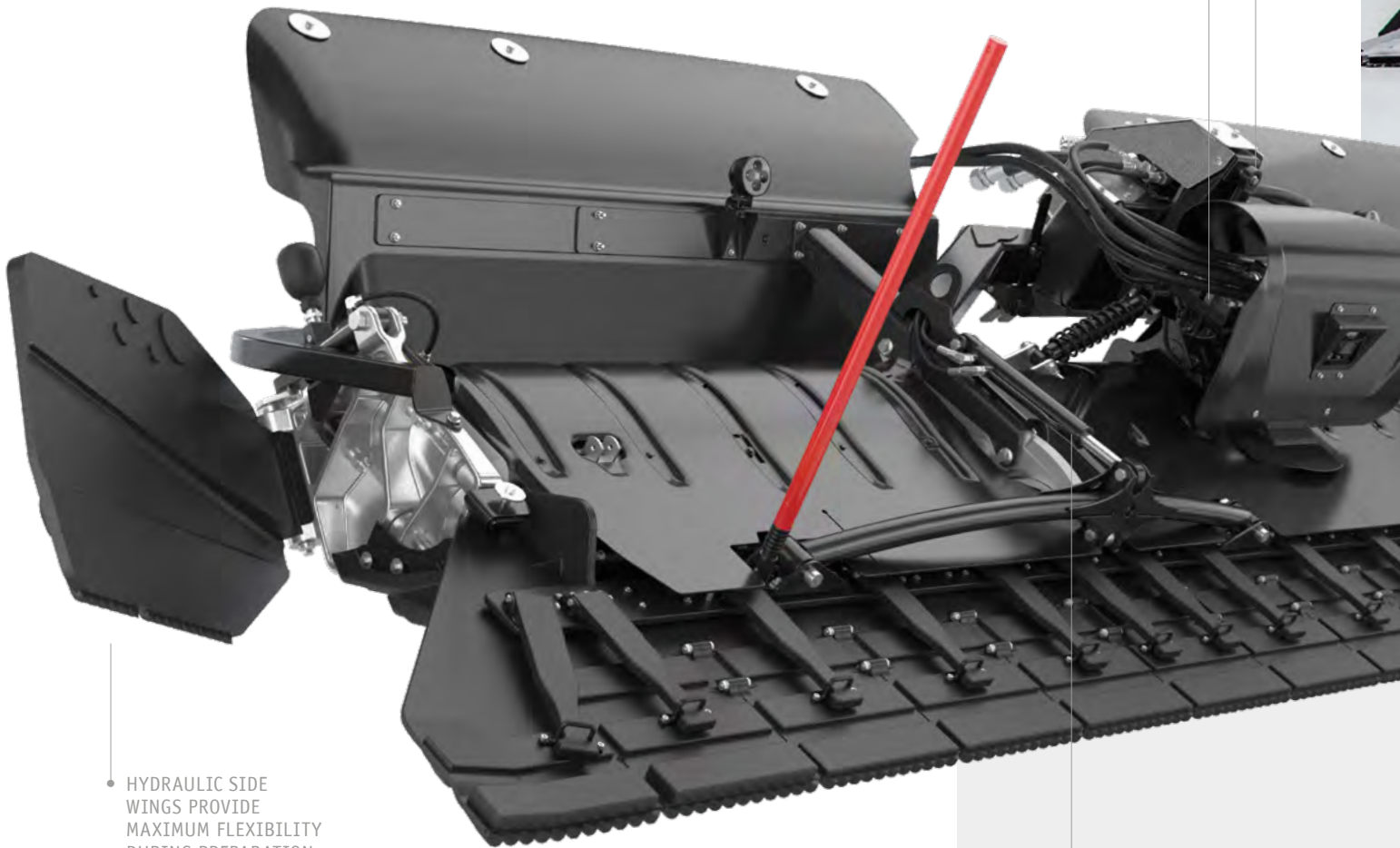
Both the POSIFLEX and POWER Tillers correspond to a working width of 14 feet 9 inches (4.5 meters) which means operators can cover more slope surface in less time.

The LEITWOLF's unique rear attachment frame with patented parallel offset allows the tiller to move up to one and a half feet to either side (45cm). The operator can choose between free trailing, locked, and parallel offset settings.

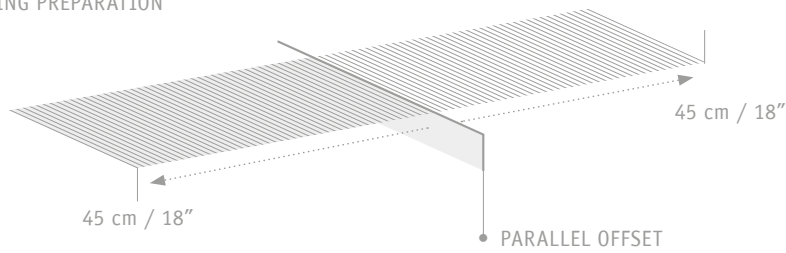
Working outside of the tracks while keeping the finisher comb parallel to the direction of travel makes the job easier and improves the final product. The offset capability also provides increased stabilization on the side hill. The approach is more streamlined because the operator is able to move the tiller closer to obstacles or overlap previous passes, which saves both time and money.

CHOOSE FLOATING OR FIXED MODE
BASED ON SNOW CONDITIONS

ROTOR SPEED SENSOR PROVIDES
LIVE AND PRECISE READINGS



HYDRAULIC SIDE
WINGS PROVIDE
MAXIMUM FLEXIBILITY
DURING PREPARATION



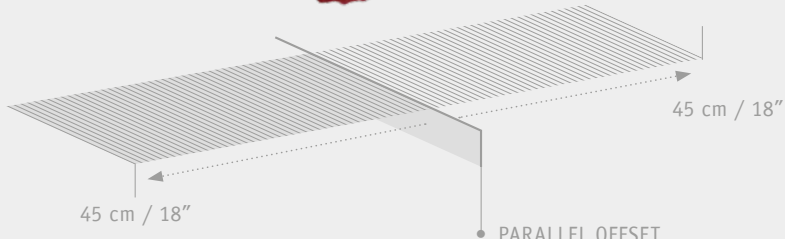
ADJUSTABLE SNOW
CHAMBER NOW
EQUIPPED WITH A
POSITIONING SENSOR



CREATE THE IDEAL CORDUROY FINISH

Used for decades in a wide range of North American snow conditions, the POSIFLEX tiller is known for helping operators deliver a perfect corduroy finish. Now available with an optional tiller camera, it's even easier to keep your eyes on the final product.

The adjustable snow chamber is equipped with a positioning sensor, allowing operators to precisely control the flow of the snow through the tiller. This increases the quality of the finish without having to waste energy by tilling deeper. Hydraulic side wings provide maximum flexibility during preparation and seamless transition between passes. Finisher mats made of durable rubber have individual sections with integrated weights and combs which are comprised of fewer parts, thereby reducing maintenance time and costs.



• EVEN PRESSURE DISTRIBUTION ON THE FINISHER

• TILLER TEETH ARE ARRANGED FOR PERFECT RESULTS AND SHAPED TO ENABLE TILLING IN BOTH DIRECTIONS OF ROTATION



TILLING TECHNOLOGY FOR THE PERFECT SLOPE

Developed over 40 years ago, the PRINOTH POWER tiller produces deep, fine-grained grooves which means sensational slope quality that lasts. Specially arranged teeth completely transform the snowpack into an even layer. The POWER tiller is equipped for all conditions, and larger side wings adapt easily to the surface. To keep an eye on everything, the optional tiller camera is perfectly positioned to give the operator the best overview.

- NEW SIDE WINGS
ENSURE AN EVEN
BETTER SLOPE FINISH

- SNOW CHAMBER:
ADJUST SNOW TRANSPORT
TO SUIT THE CONDITIONS AND
CREATE THE IDEAL SLOPE FINISH

MORE CONTROL IN CHALLENGING CONDITIONS

Lift or lower the suspension to create more or less ground pressure. Increasing or decreasing the number of crosslinks in the snow can increase traction, maneuverability, and reduce stress on the vehicle components. The front and rear operate independently, so the operator can determine the optimal pressure and shift the balance of the groomer up or downhill depending on conditions and location.





THE RIGHT TRACKS FOR YOUR TERRAIN

Providing the best contact between the vehicle and snow layer. Whether man-made snow or champagne powder, hardpack, stony surfaces or boilerplate ice – PRINOTH's track portfolio of high-grade tracks is guaranteed to meet every need.

STEEL TRACKS – HARD AS NAILS FOR THE TOUGHEST CONDITIONS

- **OPEN STEEL TRACKS**

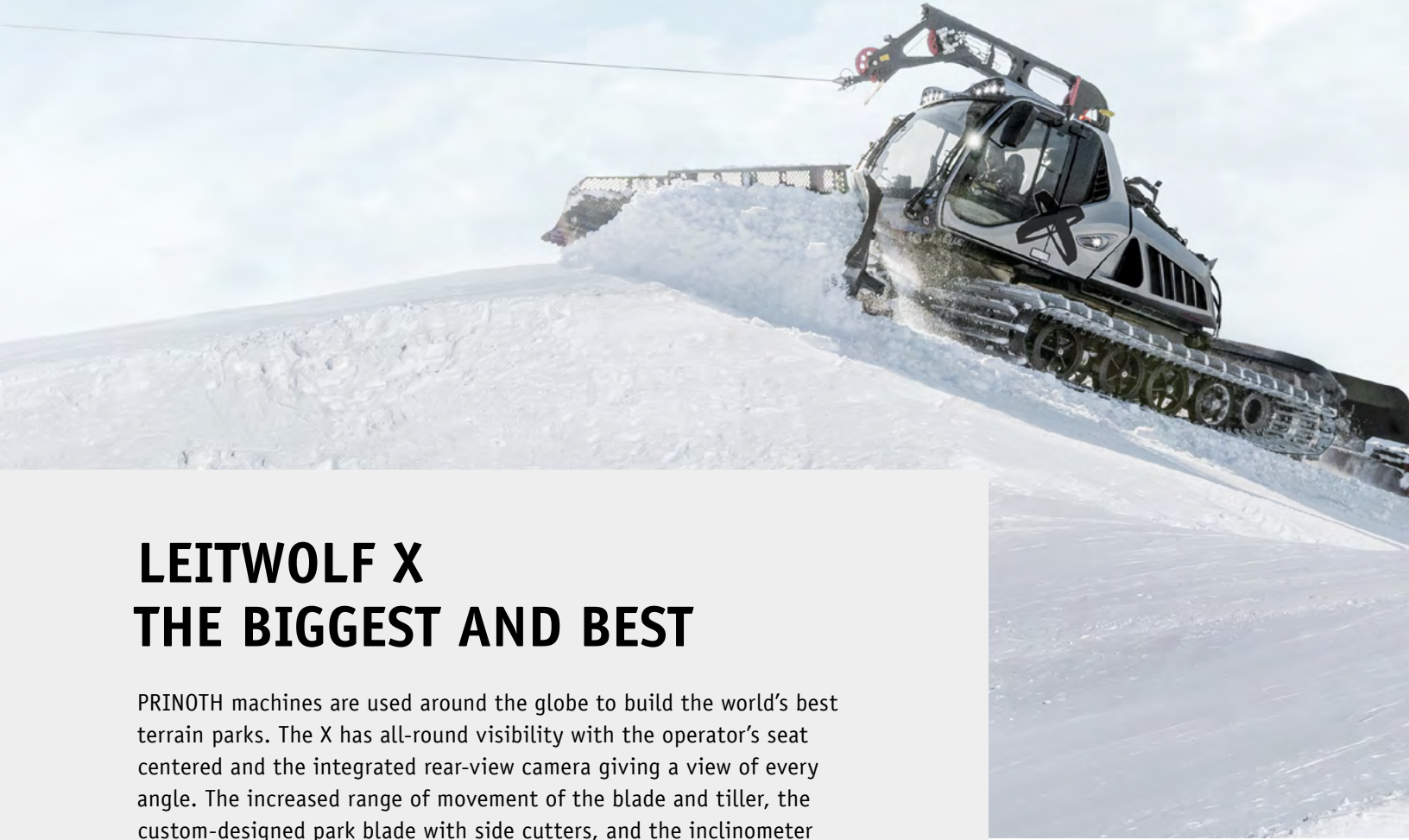
The well-known track option, these are ideal for climbing, fresh and powder snow, and can be used on roads or fields. The overlapping lock simplifies handling and makes them easy to service.

- **CLOSED STEEL TRACKS**

These tracks are ready to work in the toughest conditions. With their heavy duty durability they perform on surfaces that vary from snow to rocky ground. These are the most durable and easiest to service of all the track models.

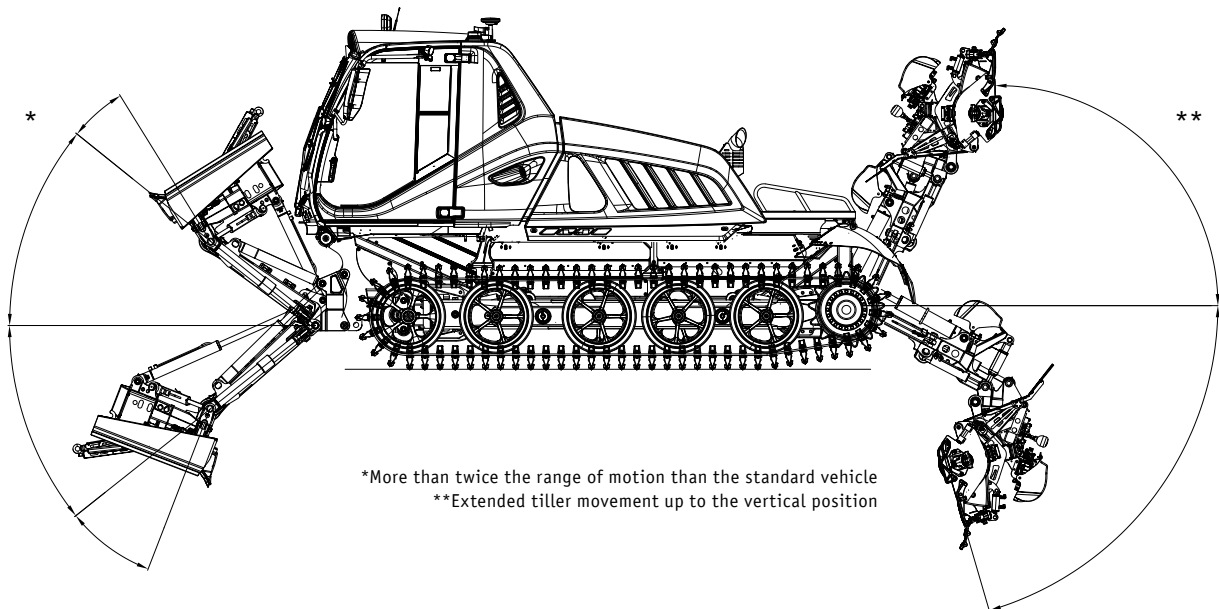
GAMSKETTE (ALUMINIUM) TRACKS – THE MANEUVERABLE, FLEXIBLE OPTION

With their excellent climbing abilities and maneuverability, these long-lasting tracks are made for all types of vehicles and feature overlapping locks, making them easy to use and service.



LEITWOLF X THE BIGGEST AND BEST

PRINOTH machines are used around the globe to build the world's best terrain parks. The X has all-round visibility with the operator's seat centered and the integrated rear-view camera giving a view of every angle. The increased range of movement of the blade and tiller, the custom-designed park blade with side cutters, and the inclinometer enable perfect execution of park features.



*More than twice the range of motion than the standard vehicle
 **Extended tiller movement up to the vertical position

PRINOTH CONNECT

BE SUSTAINABLE AND SAVE MONEY

PRINOTH Connect can make your fleet's vehicle operations easier to manage, more cost efficient, and more environmentally sustainable. It is our commitment to improving everyday work life for people operating our machines and employed in ski resorts.

We do this through technology that connects you with your colleagues and your vehicles. This enables up-to-date information on your equipment whenever and wherever you need it. The functions are accessed through the online resort management platform Skadii. Data is displayed via a single user interface in real time and provides access to numerous reports.

SNOW MEASUREMENT

One of the most important tools in a ski resort or on the trails is a snow measurement system. Knowing the snow depth at all times improves the quality of your slopes, trails, and terrain parks – and good slopes mean happy customers. Managing snow efficiently can extend the ski season, will save costs and enables increased sustainability.



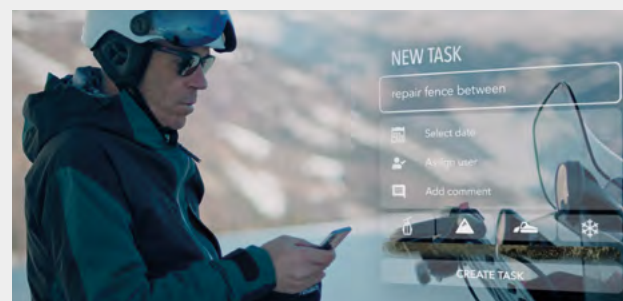
FLEET MANAGEMENT

Whether snow groomer, snowmobile or any other vehicle – know where they are and what they are doing at all times. With our Fleet Management system, we give you the big picture, which helps you optimize your operations and productivity, saving time, money and resources.



TASK MANAGER

With dozens, often hundreds of tasks a week to manage in a ski resort, current solutions are reaching their limits. Task Manager simplifies communication and makes it easier to manage tasks. It helps keep you up to date at all times and gives you peace of mind that your operations are running smoothly.



MAINTENANCE OVERVIEW

Whether it's a single snow groomer or an entire fleet, Maintenance Overview allows easy and efficient management and organization of all maintenance and repairs saving time and money through optimized, standardized processes and documentation.



SCAN THIS QR CODE TO
LEARN MORE ABOUT
PRINOTH CONNECT

skadii
skadii.global



Prinoth
CUSTOMER SERVICE

CHOOSE THE RIGHT PARTNER FOR GROOMING, PARTS AND SERVICE

For over 60 years, PRINOTH has set the standards not only on the slopes, but also for parts and service. Our Customer Service team is all about innovation, quality, professionalism, and above all – we care! Our coordinators and technicians are here for you. Have a question? We have the answer.

PRINOTH SERVICE

Expert support and technical assistance during inspections, repairs and maintenance work are all part of PRINOTH's customer service promise.

- Fast, flexible, reliable service
- Worldwide infrastructure backed by local service technicians who have the expertise and tools to fulfill your specific requirements to get your groomer fixed right here, right now.
- Available around the clock, including an emergency hotline which helps reduce critical downtime



PRINOTH PARTS SHOP

Guaranteed OEM parts ensure long-term performance and reliability, and are available at the click of a button on the PRINOTH Parts Shop.

- Simple, quick and straightforward. Get the right parts, right now in the online shop with real-time availability and clear pricing.
- Certified OEM Parts – components are made, tested and proven specifically for your snow groomer.
- A full lineup of kits are available for your particular machine, which lets your mechanics spend more time working and less time searching.



parts-shop.prinoth.com

SCAN THIS QR CODE TO VISIT
PRINOTH PARTS SHOP



PRINOTH ACADEMY

Knowledge and skills are the foundations for creating perfectly groomed slopes, parks and trails. Training programs are available for both technicians and operators. Choose from theory, hands-on practice, or both.

- The three progressive level system: BASIC, ADVANCED and EXPERT
- eLearning provides flexibility
- In-person training is available at regional offices, or have a course customized for your resort.



prinoth.com/academy

SCAN THIS QR CODE TO LEARN MORE
ABOUT PRINOTH ACADEMY



TECHNICAL SPECIFICATIONS

DIMENSIONS AND WEIGHT

Total vehicle length	5,350 mm 17'7"
Total length: vehicle with attachments	
POWER Tiller	9,465 mm 31'1"
POSIFLEX Tiller	9,650 mm 31'7"
Total height with tracks (without winch)	from 2,882 mm from 9'5"
Track working width	4,500 mm 14'9"
Transport dimensions (length / width / height)	7,530 / 2,780 / 2,770 mm 24'8" / 9'14" / 9'11"
Clearing blade with side wing open (Standard)	5,950 mm 19'6"
Clearing blade with side wing open (Park)	5,674 mm 18'7"
Clearing blade with side wing closed (Standard)	5,050 mm 16'7"
Clearing blade with side wing closed (Park)	4,625 mm 15'2"
Tiller with raised side wings	
POWER	5,610 mm 18'5"
POSIFLEX	5,720 mm 18'9"
Tiller with lowered side wings	
POWER	6,430 mm 21'1"
POSIFLEX	6,560 mm 21'6"
Weight with tracks, blade and tiller	from 11,443 kg from 25,227 lbs
Weight winch (850 m cable)	from 2,096 kg from 4,621 lbs

DRIVING SPECIFICATIONS

Max. speed	22.5 km / h 14 mph
Turning circle	0 (around its own axis)

ENGINE

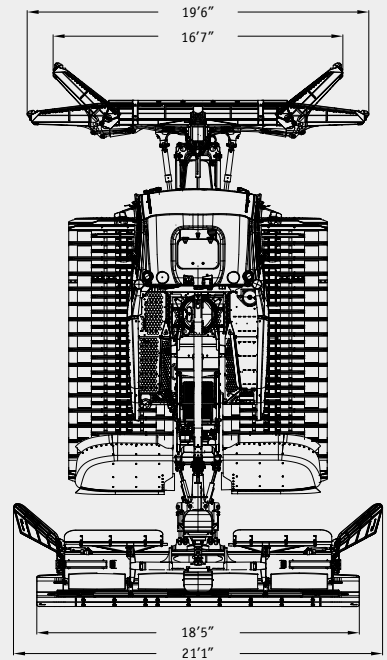
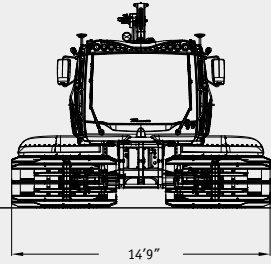
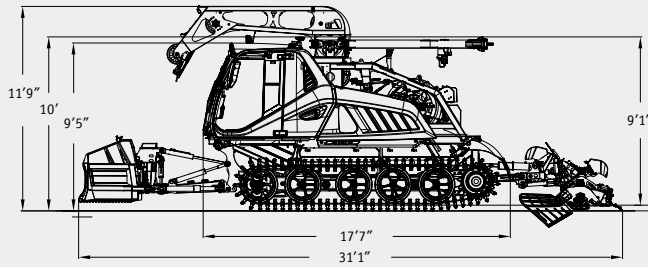
Model	MTU 6R 1300
Emission standard	Euromot Stage V / EPA Tier 4 Final
Fuel types	Diesel, HVO, GTL and BTL*
Power output (ECE)	390 kW / 530 CV @ 1,600 min ⁻¹ 390 kW / 530 HP ECE @ 1,600 rpm
Torque	2,600 Nm @ 1,300 min ⁻¹ 1,918 ft-lb @ 1,300 rpm
Capacity	12,800 cm ³
Cylinder configuration	straight-6
Tank capacity diesel	385 l** / 265 l 101.7 gal** / 70 gal
Tank capacity	AdBlue® 40 l 10.5 gal

AUTOMATIC WINCH

Maximum pulling force	44.1 kN / 4.5 t / 5 t short
Maximum cable length	up to 1,200 m up to 1,312 yd
Cable diameter	11 mm
Cable breaking load	150 kN
AUTOMATIC winch	selectable modes AUTO / ECO / MANUAL

*According to the norms ASTM D975, EN590, EN15940
 **with additional 120 l / 31.7 gal fuel tank

LEITWOLF



LIGHTS

Four LED working lights at front – dimmable

Two dipped-beam lights

Two LED working lights at rear – dimmable

Two LED foglights on mirror holders

Two position lights and directional indicators

Two rotating lights

One search light

OPERATOR CABIN

Operator seat: RECARO comfort center seat with pneumatic suspension, height adjustable

Passenger seat on left, storage compartment right

PRINOTH Control Unit: new 12" touch display, new armrest with multifunctional joystick, steering lever, multimedia box with digital radio, MP3 / WMA, Bluetooth, AUX-In, USB, Bluetooth hands-free system

Radio set ready

Heated side mirrors, heated front, rear and side windows

Automatic heating and ventilation with touchscreen control, footwell heating system

Electro-hydraulic tilting cab

ROPS tested pursuant to EN 15059

PARK FUNCTIONS

Inclinometer for vehicle and front clearing blade

Extended radius of movement for park building blade and tiller

Distance meter

Rear view camera

Park blade with side cutters for shaping park features

STANDARD FUNCTIONS

Parallel tiller offset

Active undercarriage

Floating position

Hydraulic track tensioning

Cruise control

On-board diagnostics

Reversing alarm

Automatic heating system

Engine preheating

Personalized operator settings stored via NFC

Loading platform (standard vehicle)

Central locking

OPTIONS

Seatbelt tensioners

Additional siren

Fleet management

Measurement of snow depth

Front hydraulics

PRINOTH carpet

Right passenger seat

Filled with bio-oil ex works

Rear view camera on solo vehicle

Snow chamber on the POWER Tiller

Storage bag

Tiller camera with LED lighting

Air conditioning system

Towing hook